

Super ZipJet

Excavation and Jetting



The Super ZipJet replaces the successful Tritech ZipJet Ultra range of products.

The Super ZipJet incorporates many technical advances over the previous generation of ROV suction and jetting systems. These advances are a direct result of customer feedback

Considerable emphasis has been placed on increasing efficiency in both the suction and jetting modes. The Super ZipJet incorporates several design features, which improve its reliability and substantially reduce its maintenance costs.

Reliable excavation and jetting for work-class ROVs

The Super ZipJet will not block or jam because there are no moving parts on the dredging side of the system. Power is derived from a stream of high velocity fluid creating a low pressure region behind the suction nozzle. The pump may be rapidly switched from suction to jetting mode.

Benefits

- Robust and compact design
- Will not block or jam
- Easy in-field maintenance

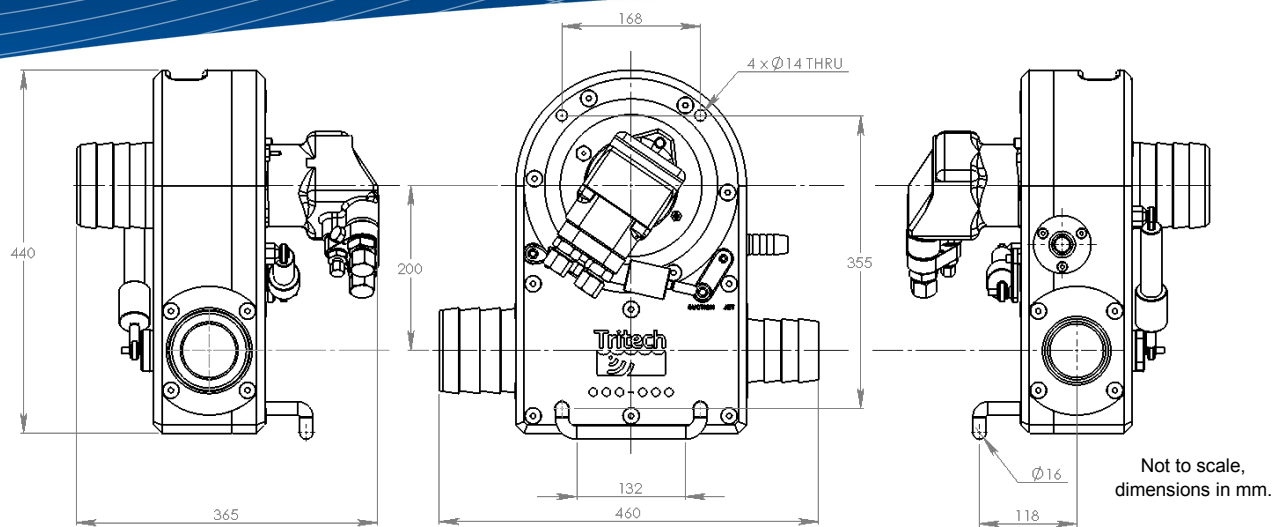
Features

- ROV mounting system
- Modular pump core
- Multiple mounting configurations

Applications

- Work-class ROVs
- Break up of seabed muds and sands
- Removal of drill cuttings
- Marine archaeology
- Salvage operations

Specification



Hydraulic Motor Input	
Pressure	150 to 220 Bar (2200 to 3200 psi)
Flow	40 to 60 litres per minute (11 to 16 USgpm)
Actuator	
Minimum pressure	110 Bar (1595 psi)
Maximum pressure	240 Bar (3480 psi)
Hydraulic Fittings	
Motor A & B	No. 12 JIC male
Motor case drain	No. 6 JIC male
Actuator connection	No. 4 JIC male
Check Valve	
Normal	Tritech Volvo Protector Assembly
Alternative	Integrated Hydraulics FPR-1/22-0.5 (cracking pressure 0.5 bar)
Output	
Jetting performance	1000 litres per minute @ 2 Bar (270 USgpm)
Suction flow	500 - 1000 litres per minute (135 to 270 USgpm)
Solids removal rate	5 - 10 tonnes per hour (184 - 368 lb per minute)
Hose Dimensions (internal diameter)	
Jetting	25.4mm ID (1in)
Discharge	100mm ID (4in)
Suction	75mm ID (3in)
Clean Water Inlet	100mm ID (4in)
Weight and Materials	
Weight in air	25kg (55lb)
Weight in water	11kg (24lb)
Materials	Nylacast, UHMWPE

Specifications subject to change according to a policy of continual development.

Document: 0711-SOM-00004, Issue: 03

Marketed by:

Tritech International Ltd
 Peregrine Road, Westhill Business Park
 Westhill, Aberdeenshire, AB32 6JL
 United Kingdom
 sales@tritech.co.uk
 +44(0)1224 744 111

