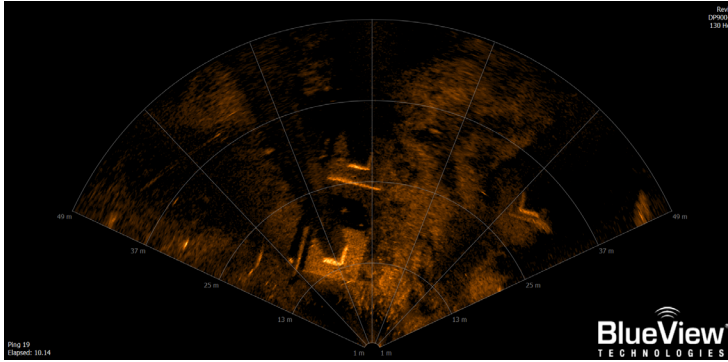


# P900 Series 2D Imaging Sonar

A complete family of high-performance imaging sonar systems engineered for multi-tasking applications and flexible deployment options. These lightweight sonar systems offer real-time, high resolution sonar imagery for object identification, navigation, monitoring, and inspection tasks in a compact design. Choose from five (5) models including two (2) deepwater systems with a maximum detection range of 100 m (328 ft.) and 3 field-of-view options.

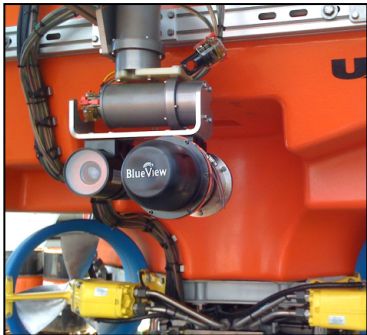


Screen capture of the P900-130 showing bridge footers taken from an ROV in motion.

## ProViewer® Software

Delivered with each P900 Series sonar enabling immediate out-of-the-box operation. ProViewer can be installed on to any PC with a Windows® based operating system, no licensing fees required. Features:

- Intuitive, easy-to-use interface
- Crisp, detailed real-time imagery
- On the fly point-to-point measurements
- Video synchronization
- Georeferencing
- Movie exports



## Real-Time Applications

All P900 Series sonar operate while in motion or from a stationary position delivering real-time imagery and data.

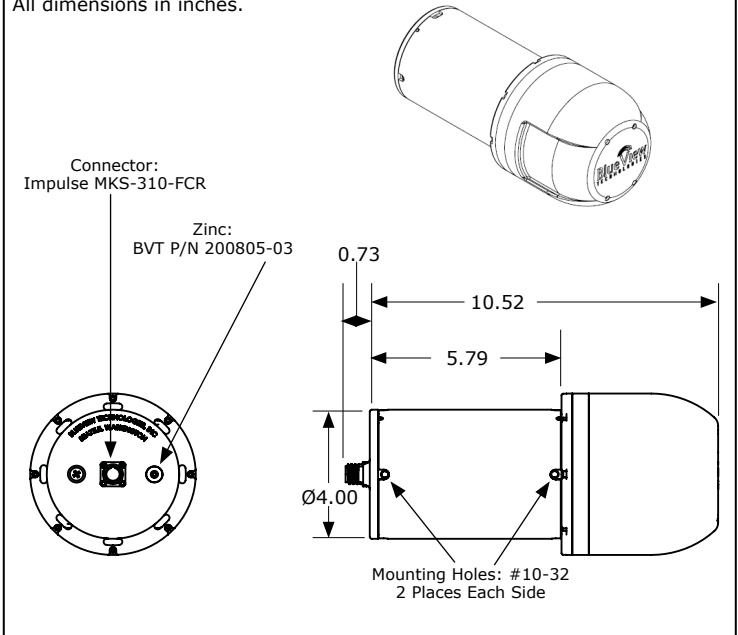
- ROV real-time navigation
- Object detection/identification
- Target tracking
- Obstacle avoidance
- Operations monitoring
- Equipment/tool placement
- Area/structure inspection
- Search & recovery

P900-45/P900-90/P900-130



## P900-45, P900-90, P900-130

All dimensions in inches.



## Software Development Kit (SDK)

Sold separately the BlueView SDK enables sonar integration into complex platforms and/or customized systems. The SDK enables control of the sonar and provides access to the raw data files to control sonar operation and enable data flow-through. Features:

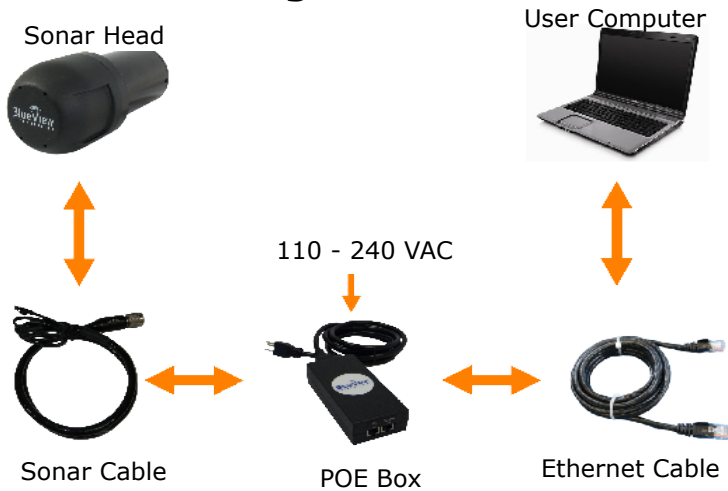
- Single .zip file
- Windows® and Linux versions available
- C/C++ libraries included
- Documentation to review architecture and logic
- Reference manual and step-by-step guide
- Example files
- No licensing fees

## Specifications

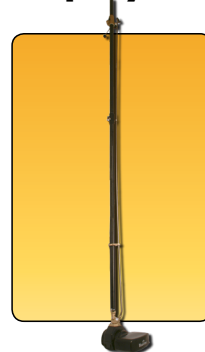
| Model               | P900-45                     | P900-90                     | P900-130                    | P900-90-D                   | P900-130-D                  |
|---------------------|-----------------------------|-----------------------------|-----------------------------|-----------------------------|-----------------------------|
| <b>Sonar</b>        |                             |                             |                             |                             |                             |
| Operating Frequency | 900 kHz                     | 900 kHz                     | 900 kHz                     | 900 kHz                     | 900 kHz                     |
| Update Rate         | Up to 15 Hz                 | Up to 15 Hz                 | Up to 15 Hz                 | Up to 15 Hz                 | Up to 15 Hz                 |
| Field-of-View       | 45°                         | 90°                         | 130°                        | 90°                         | 130°                        |
| Max Range           | 100 m (328 ft.)             | 100 m (328 ft.)             | 100 m (328 ft.)             | 100 m (328 ft.)             | 100 m (328 ft.)             |
| Optimum Range       | 2 - 60 m<br>(6.5 - 197 ft.) | 2 - 60 m<br>(6.5 - 197 ft.) | 2 - 60 m<br>(6.5 - 197 ft.) | 2 - 60 m<br>(6.5 - 197 ft.) | 2 - 60 m<br>(6.5 - 197 ft.) |
| Beam Width          | 1° x 20°                    | 1° x 20°                    | 1° x 20°                    | 1° x 20°                    | 1° x 20°                    |
| Number of Beams     | 256                         | 512                         | 768                         | 512                         | 768                         |
| Beam Spacing        | 0.18°                       | 0.18°                       | 0.18°                       | 0.18°                       | 0.18°                       |
| Range Resolution    | 1.0 in.                     | 1.0 in.                     | 1.0 in.                     | 1.0 in.                     | 1.0 in.                     |
| <b>Interface</b>    |                             |                             |                             |                             |                             |
| Supply Voltage      | 12 - 48 VDC                 | 12 - 48 VDC                 | 12 - 48 VDC                 | 12 - 48 VDC                 | 12 - 48 VDC                 |
| Power Consumption   | 9.0 W/9.5 W max.            | 18 W/22 W max.              | 19 W/23 W max.              | 17 W/23 W max.              | 17 W/23 W max.              |
| Connectivity        | Ethernet/VDSL*              | Ethernet/VDSL*              | Ethernet/VDSL*              | Ethernet                    | Ethernet                    |
| <b>Mechanical</b>   |                             |                             |                             |                             |                             |
| Weight in Air       | 5.3 lbs.                    | 5.7 lbs.                    | 5.7 lbs.                    | 9.6 lbs.                    | 9.6 lbs.                    |
| Weight in Water     | 1.3 lbs.                    | 1.4 lbs.                    | 1.4 lbs.                    | 4.4 lbs.                    | 4.4 lbs.                    |
| Depth Rating        | 1,000 m (3,280 ft.)         | 1,000 m (3,280 ft.)         | 1,000 m (3,280 ft.)         | 4,000 m (13,123 ft.)        | 4,000 m (13,123 ft.)        |
| Size L x W (max OD) | 11.3 x 5.0 in.              | 11.3 x 5.0 in.              | 11.3 x 5.0 in.              | 12.4 x 5.0 in.              | 12.4 x 5.0 in.              |

\*VDSL- Sonar with the onboard VDSL option will have increased length and weight specifications, contact BlueView for details.

## Standard Configuration



## Deployment Accessories



### Manual Pole Mount

Enables quick and easy deployment from a surface vessel or platform, and allows manual tilt angle adjustments of the sonar head.



### BV3100 Portable Boat Mount System

Ideal for search and recovery operations, dive monitoring, and underwater inspections with digitally controlled pan and tilt.



### BV4000 Portable Tripod with Digital Pan & Tilt

Lightweight, one-man deployable for stationary positioning of the sonar with digital control of angle and rotation.

## Ordering Information

When requesting a quotation or placing an order use the configuration model below to specify your exact model:

**P900 - 130 - BR - VDSL**

#### Field-of-View

**45:** 45° Nominal

**90:** 90° Nominal

**130:** 130° Nominal

#### Connector Type

**MKS:** Impulse MKS 10 pin<sup>1</sup>

**BR:** Burton Mini 8 pin

**SN:** Schilling SeaNet

#### Options

**D:** 4,000 m depth

**VDSL:** Embedded Ethernet extenders<sup>2</sup>

Choose your Field-of-View, Connector Type, and Options, then place your request using your configuration model code.

## BlueView Technologies, Inc.

2151 N. Northlake Way, Suite 214

Seattle, WA 98103 USA

P +1 (206)545-7260 • F +1 (206)545-7261

info@blueview.com • www.blueview.com