

Datasheet

Navigation Computer



Description

The Type 8026 Navigation Computer forms part of a Data Fusion Engine, a 'one-box' solution designed to meet the complete on-board requirements of any acoustic operation.

The Navigation Computer is a powerful, purpose-built computer that is used in conjunction with the Navigation Sensor Hub (NSH). It has been specifically designed to run Sonardyne's family LBL and USBL software applications.

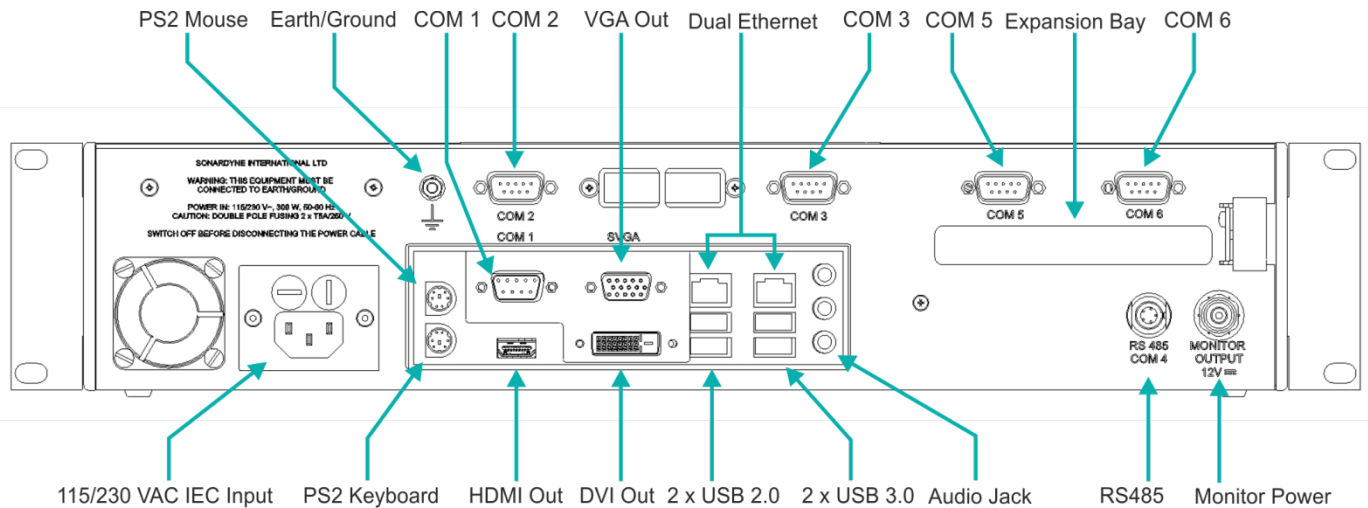
Features include a front-mounted USB key port for when access to the rear of the unit is restricted by rack mounting or portable configurations.

Key Features

- Intel® Core i7 2600 / 3.4 GHz processor
- Dual SSD Hard Disk
- Dual screen (VGA, DVI or HDMI)
- Shock mounted hard drives
- Ethernet or Serial I/F to NSH
- Front mounted USB key
- DVD±R RW CD-RW
- Front 2.5 inch SATA drive bay
- Front Internal Speaker
- Only 2U high and 384 mm deep

Specifications

Navigation Computer



Feature	Type 8026
Processor	Intel® Core i7 2600/3.4 GHz
RAM	DDR3 1333 MHz 4 GB DIMM
Hard Disk	Dual 240 GB SSD
Drives	Slimline DVD±R RW CD-RW, 2.5" SATA drive bay
Ports	1x VGA, 1x DVI, 1x HDMI dual video output (dual screen or clone screen) 4x USB 2.0 (2x front, 2x rear), 2x USB 3.0 (rear), 5 x RS232 serial ports, 1x RS485 port, 1x keyboard, 1x mouse, 1x speaker, 1x AUX in
Network	2 x 1 Gbps Ethernet
Power In	Auto sensing ac voltage 115/230 V, 60/50 Hz Max power input 300 W Input current: 1.9 A @ 230 V
Power Out	12 V dc (Sonardyne 17" monitor) 5 A, 60 W max
Audio	Internal speaker
Video	Dual screen available by a combination of the DVI, HDMI or VGA ports
Environmental Specifications	<p>Operating Temperature 0 to 55°C (32 to 131°F)</p> <p>Storage Temperature -20 to 55°C (-4 to 131°F)</p> <p>Relative Humidity 20% – 80% (non-condensing)</p> <p>Vibration 4 hour random test (w/o resonant dwells) 1 to 1000 Hz at 0.0002 g²/Hz Successive sinusoidal sweeps up to 0.85 g, rack mounted, 5 to 100 Hz Successive sinusoidal sweeps in an angled position, up to 0.4 g, 1 to 100 Hz</p>
Intended Use	Indoor use, altitude up to 2000 m, pollution degree 2, continuous operation
Safety	Complies with EN61010-1: 2010
EMC	Complies with Immunity & Emission requirements of EN 60945
Dimensions (LxWxH)	384 x 482 x 88 mm (15.1 x 18.9 x 3.4")
Weight	7.5 kg