



STR

SUBSEA TECHNOLOGY & RENTALS



STR 5 FUNCTION ELECTRIC MANIPULATOR ARM

The OIS STR 5 Function Electric Manipulator Arm is a high-performance and cost-efficient skid-mounted electric manipulator arm. Intuitive programmable position controls, embedded controllers, an innovative modular system (plug & play) and 3 available additional connectors for optional cameras, projectors or lasers make operation of this manipulator easy, regardless of the operator's skill level. Innovative, reliable, robust and cost effective, the BE5-500 was specifically designed for a multitude of operations and can be retrofitted to most ROV systems.



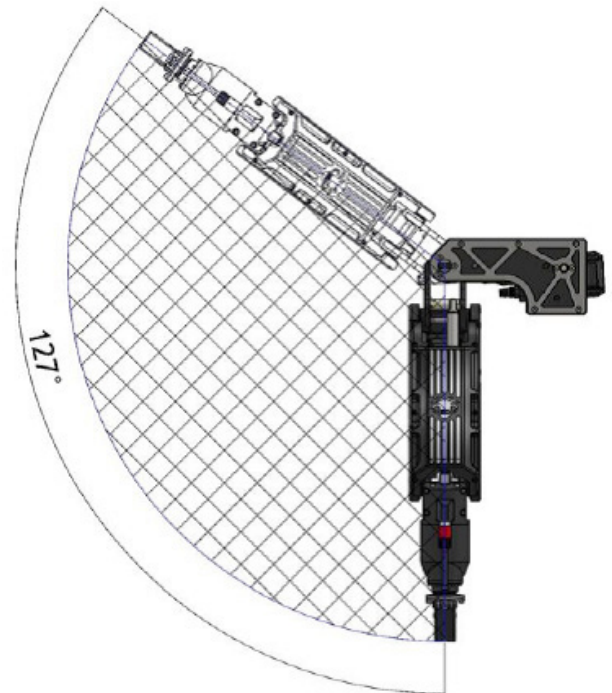
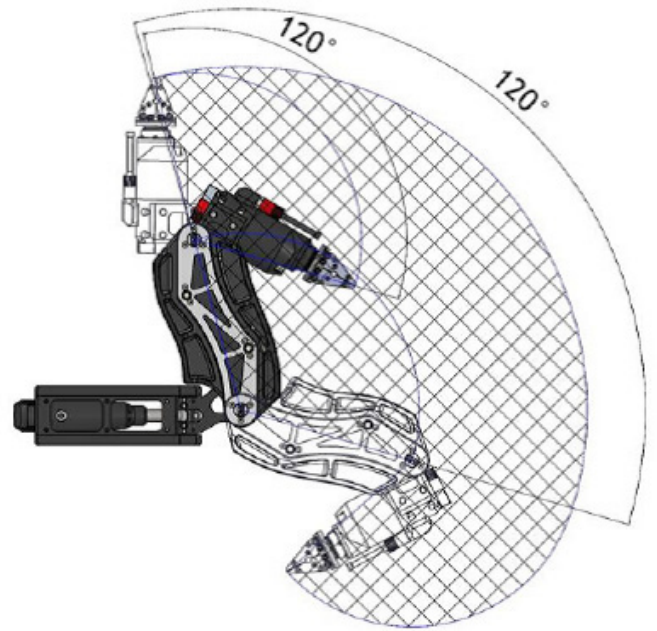
KEY FEATURES

- Easy to operate and maintain
- Embedded controller (PODless)
- Home position at the touch of a button
- Easy mounting for LEFT or RIGHT arm
- Powered by electric motors (Swiss benchmark)
- One joystick controls all functions
- Fresh water use (No oil contamination possible)
- SKID for various ROV systems and voltages available
- 3 connectors available for add-on capacities

STR 5 FUNCTION ELECTRIC MANIPULATOR ARM

SPECIFICATION - (BE5-500)

Bus Control:	RS485 other on demand
Power supply:	24V - 150W max
Operating temperature:	-20°C to + 50°C (-4° F to 122° F)
Full Reach Length:	42"/700mm (Fully extended from Slew Pivot)
Height (Stowed Position):	18"/459mm
Weight (In Air):	~33lb/15kg
Weight (In Fresh Water):	~17lb/8kg
Depth Rating:	~1,640ft/500m
Material:	Polyethylene and Hard Anodized Aluminium 5083
Lift Capability:	-11lb/16kg at full extension
Mechanical strength of the manipulator arm:	~110lb / 50 kg
Slew (α):	127°
Elevation (β):	120°
Elbow Bend (γ):	120°
Jaw Rotate:	Continuous



All information contained in this brochure may be subject to change without prior notice.